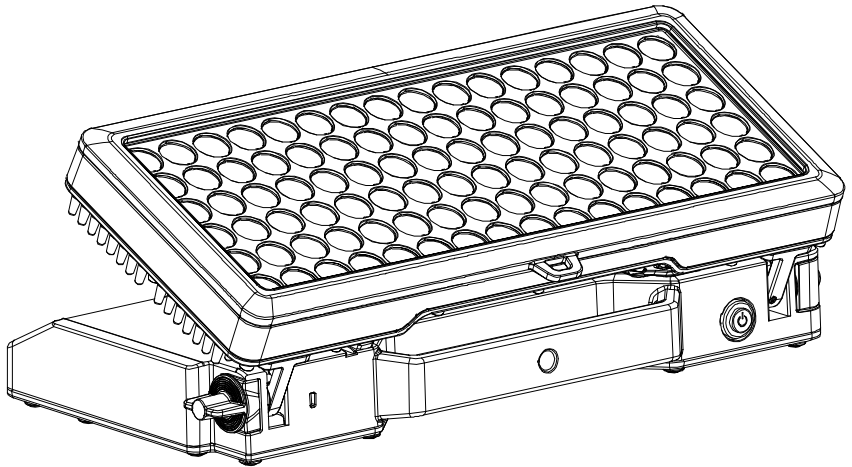


SMARTBOOK

PORTABLE WIRELESS LUMINAIRE



USER MANUAL
MANUALE UTENTE

All rights reserved by Music & Lights S.r.l. No part of this instruction manual may be reproduced in any form or by any means for any commercial use.

In order to improve the quality of products, Music&Lights S.r.l. reserves the right to modify the characteristics stated in this instruction manual at any time and without prior notice.

All revisions and updates are available in the 'manuals' section on site www.musiclights.it

TABLE OF CONTENTS**Safety**

General instructions	2
Warnings and installation precautions	2

1 Introduction

1.1 Description	3
1.2 Technical specifications	3
1.3 Operating elements and connections	5

2 Installation

2.1 Mounting	6
--------------------	---

3 Functions and settings

3.1 Operation	7
3.2 Basic	7
3.3 Menu structure	9
3.4 DMX mode	10
3.5 DMX configuration	11
3.6 Wireless	11
3.7 IR Setup	11
3.8 Back Light	11
3.9 Flip Display	11
3.10 Key Lock	12
3.11 Dimmer mode	12
3.12 White Balance	12
3.13 Factory Reload	12
3.14 Fixture Information	12
3.15 Master/Slave mode	13
3.16 Effects	13
3.17 Static mode	13
3.18 DMX Control	14

4 Maintenance

4.1 Maintenance and cleaning the unit	15
4.2 Trouble shooting	15

Packing content

- SMARTBOOK
- SBOOKFILTER50
- User manual




WARNING! Before carrying out any operations with the unit, carefully read this instruction manual and keep it with care for future reference. It contains important information about the installation, usage and maintenance of the unit.



SAFETY

General instruction

- The products referred to in this manual conform to the European Community Directives and are therefore marked with **CE**.
- The product comes with a rechargeable lithium battery (26 Ah - 18,5V) for cable-free operation.
- The unit is supplied with hazardous network voltage. Leave servicing to skilled personnel only. Never make any modifications on the unit not described in this instruction manual, otherwise you will risk an electric shock.
- Connection must be made to a power supply system fitted with efficient earthing (Class I appliance according to standard EN 60598-1). It is, moreover, recommended to protect the supply lines of the units from indirect contact and/or shorting to earth by using appropriately sized residual current devices.
- The connection to the main network of electric distribution must be carried out by a qualified electrical installer. Check that the main frequency and voltage correspond to those for which the unit is designed as given on the electrical data label.
- This unit is not for home use, only professional applications.
- Never use the fixture under the following conditions:
 - in places subject to vibrations or bumps;
 - in places subject to excessive humidity;
 - in places with a temperature of over 45 °C.
- Make certain that no inflammable liquids, water or metal objects enter the fixture.
- Do not dismantle or modify the fixture.
- All work must always be carried out by qualified technical personnel. Contact the nearest sales point for an inspection or contact the manufacturer directly.
- This product contains a lithium iron rechargeable battery. To protect the environment, please discard the battery at the end of its life cycle according to current law
- If the unit is to be put out of operation definitively, take it to a local recycling plant for a disposal which is not harmful to the environment. 

Warnings and installation precautions

- If this device will be operated in any way different from the one described in this manual, it may suffer damage and the guarantee becomes void. Furthermore, any other operation may lead to dangers like short circuit, burns, electric shock, etc.
- Before starting any maintenance work or cleaning the projector, cut off power from the main supply.
- Always additionally secure the projector with the safety rope. When carrying out any work, always comply scrupulously with all the regulations (particularly regarding safety) currently in force in the country in which the fixture's being used.
- Install the fixture in a well ventilated place.
- Keep any inflammable material at a safe distance from the fixture.
- Shields, lenses or ultraviolet screens shall be changed if they have become damaged to such an extent that their effectiveness is impaired.
- The lamp (LED) shall be changed if it has become damaged or thermally deformed.
- Never look directly at the light beam. Please note that fast changes in lighting, e. g. flashing light, may trigger epileptic seizures in photosensitive persons or persons with epilepsy.
- Do not touch the product's housing when operating because it may be very hot.
- This product is not intended for permanent installation.

- 1 - INTRODUCTION

1.1 DESCRIPTION

SMARTBOOK is a wireless battery washlight, performing high output in a super slim foldable housing. SMARTBOOK is an ideal tool for outdoor events to light up landscapes and buildings, being IP rated and with magnetic optical system (+50° included) to focus the luminaire. SMARTBOOK comes with a quick magnetic recharge flight case and control through Wireless DMX.

LIGHT SOURCE

- Source: 96x3W RGBW LED
- Luminous Flux: (without filter) 3019.9 lm - (with 50° filter) 2117 lm - (with 60x10° filter) 2261lm
- Lux: (without filter) 1593 lux - (with 50° filter) 404 lux - (with 60x10° filter) 608lux @3m full
- Source Life Expectancy: >50.000 h

OPTICS

- Beam Angle: (without filter) 24° ; (with 50° filter) 35° ; (with 60x10° filter) 40x24°
- Field Angle: (without filter) 40° ; (with 50° filter) 70° ; (with 60x10° filter) 81x45°
- Additional Optics: Magnetic 60x10° asymmetric filter (optional)
- Other: Magnetic +50° filter (included)

COLOUR SYSTEM

- Colour Mixing: RGBW
- Colour Wheel: Virtual colour wheel with presets

DYNAMIC EFFECTS

- Static Colour Mode: Selection of static colour
- Manual Colour Mode: Manual adjustment of colour
- Auto Mode: Built-in programs with execution speed adjustment

BODY

- Hardware On-board: Foldable head to focus the beam
- Tilt Angle: 0-90°
- Body: Sturdy die-cast aluminium body conceived for long-time durability
- Body Color: Black

CONTROL

- Protocols: DMX512
- DMX Channels: 4/6/10ch
- W-DMX: Included, wireless solution receiver
- Display: Black OLED high resolution display
- IR: Infrared sensor controlled by remote
- Master/Slave: for synchronized operation of more units linked in a chain

ELECTRONICS

- Dimmer: Linear 0~100% electronic dimmer
- Dimmer Curves: 4 Different dimming curves available
- Strobe/Shutter: 0-30 Hz, electronic
- Operating Temperature: 0° ~ +45°
- Flicker: Flicker free operation

BATTERY

- Battery: 26 Ah - 18,5V
- Estimated battery life in colour change mode up to: 12h
- Estimated battery life in single colour mode up to: 12h
- Estimated battery life in full-mode up to: 9h
- Re-charge Connection: Magnetic fast-charge in case
- Re-charge Time: 7h/max
- Battery Status: Shown on display

PHYSICAL

- Cooling: Natural cooling of the peculiar chassis and to absence of fans
- IP rating: 65 for outdoor events
- Dimensions (WxHxD): 407x213x100.6mm
- Weight: 8,4kg

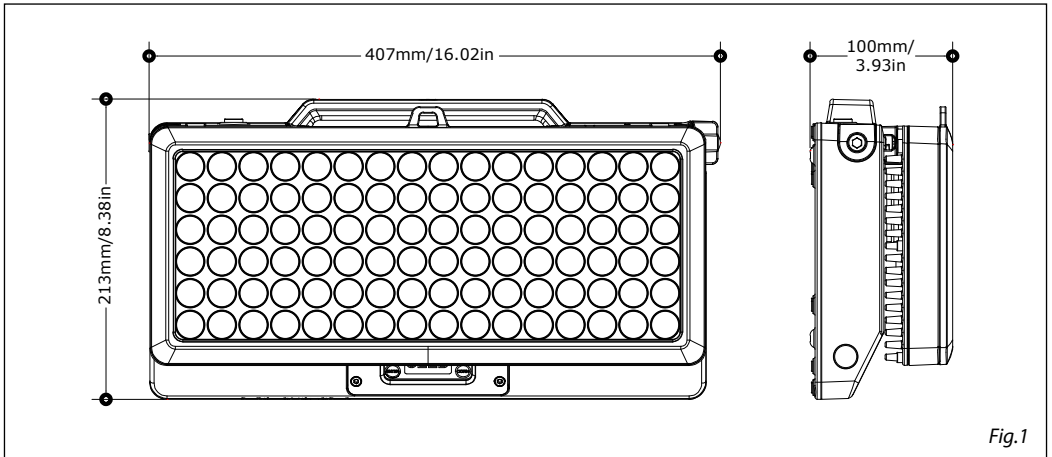
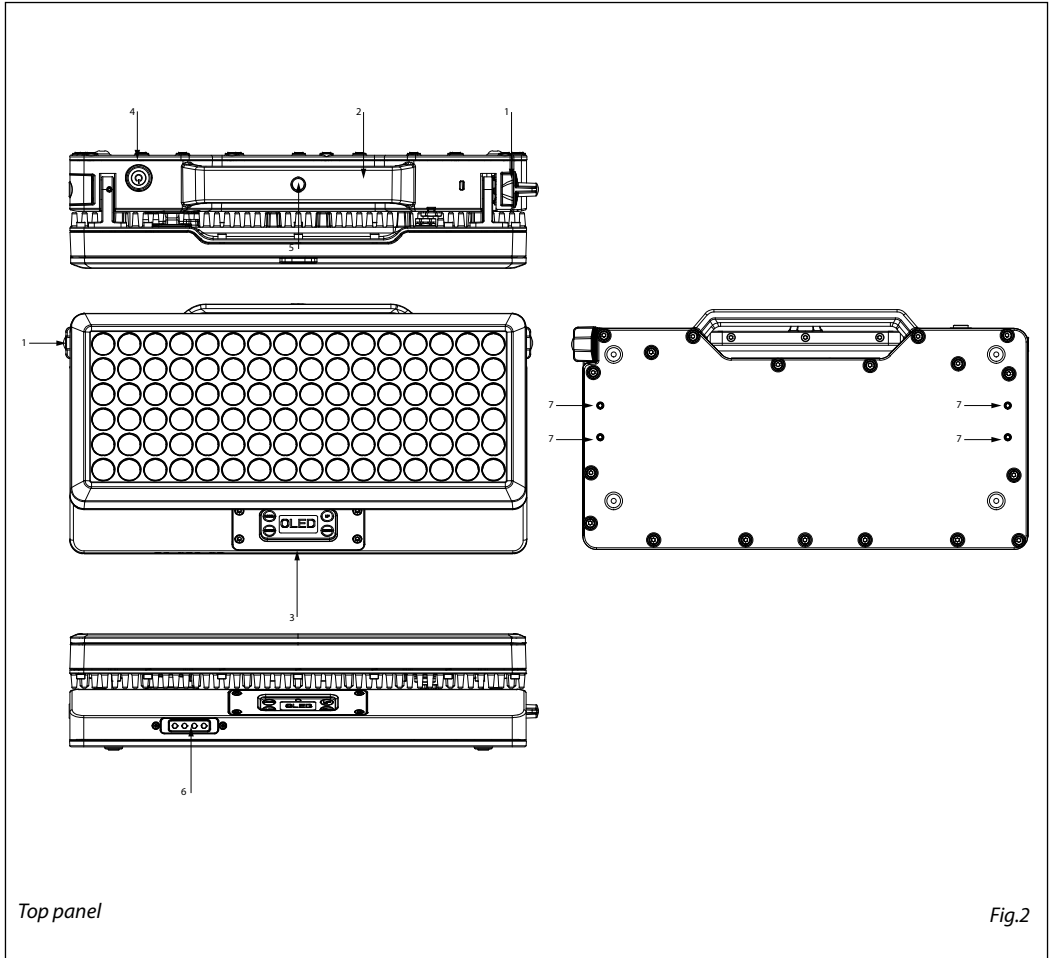


Fig.1

1.3 OPERATING ELEMENTS AND CONNECTIONS



1. LOCKING KNOB
2. HANDLE for transport
3. CONTROL PANEL with display and 4 button used to access the control panel functions and manage them.
4. ON/OFF SWITCH
5. THREADED HOLES M12
6. POWER IN mains plug for connection to a socket via the supplied mains cable.
7. THREADED HOLES for bracket

- 2 - INSTALLATION

2.1 MOUNTING

SMARTBOOK may be set up on a solid and even surface; the inclination of the projector can be changed through the locking knob (1). Thanks to the threaded hole the unit can also be mounted upside down to a cross arm (2). For fixing, stable mounting clips are required. The mounting place must be of sufficient stability and be able to support a weight of 10 times of the unit's weight.

When carrying out any installation, always comply scrupulously with all the regulations (particularly regarding safety) currently in force in the country in which the fixture's being used.

IMPORTANT

- Always additionally secure the projector with the safety rope from falling down. For this purpose, fasten the safety rope at a suitable position so that the maximum fall of the projector will be 20 cm.

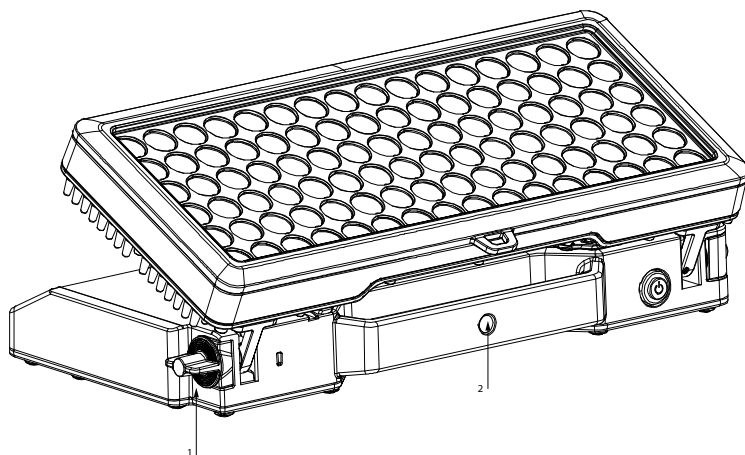


Fig.3

- 3 - FUNCTIONS AND SETTINGS

3.1 OPERATION

To turn on the SMARTBOOK, press the ON / OFF switch. The unit can be controlled by a DMX light control unit or independently run its program. After use, turn the unit off using the same switch.

3.2 BASIC

Access control panel functions using the four panel buttons located directly underneath the OLED Display (fig.3).

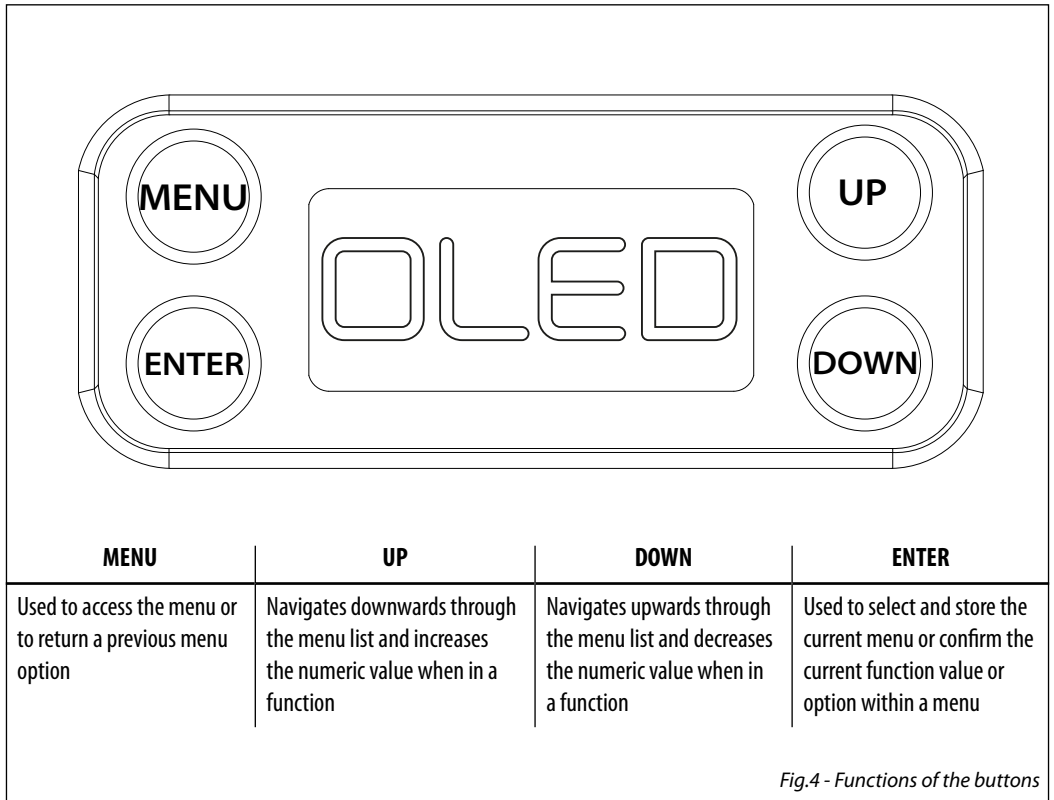
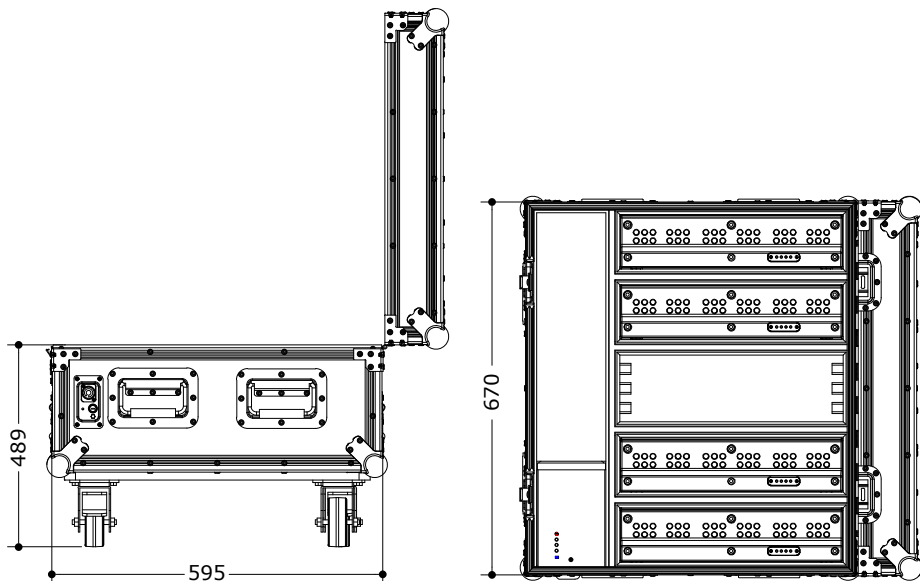


Fig.4 - Functions of the buttons

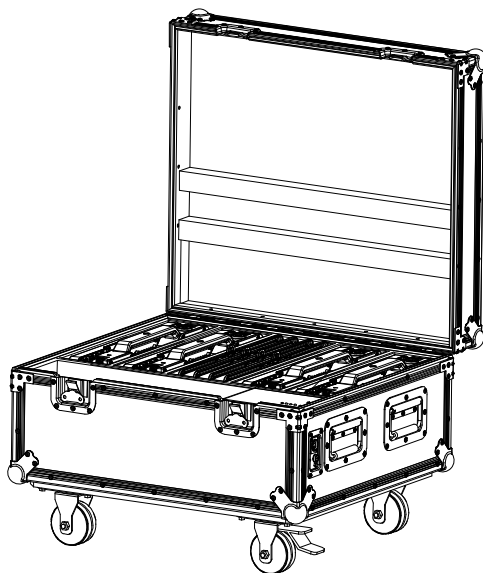
Flight-case SMARTBOOKPACK (optional)

Flight-case designed to contain 4pcs SMARTBOOK with battery charger kit included..

- Internal separated compartments with charger plug for every device
- Case power input: Powercon IN
- Dimensions (LxHxD): 670x489x595 mm

**NOTA**

Ricaricare sempre con
flight-case aperto.



3.3 MENU STRUCTURE

MENU	
1	Connect ⇒ DMX Address ⇒ < 001 > Default:001
	DMX Mode ⇒ Easy (4Ch) Basic (6Ch) Standard (10Ch) Default:10Ch
	Wireless ⇒ Receive Reset Connect
	IR setting ⇒ ON/OFF
2	Setup ⇒ Screen ⇒ Backlight ⇒ On 10s 20s 30s Default:30s
	Flip Display ⇒ No Yes Default:No
	Key Lock ⇒ No Yes Default:No
3	Advanced ⇒ Dimmer mode ⇒ Off DIM 1 DIM 2 DIM 3 Default:Off
	White Balance ⇒ Off
	Adjust ⇒ Red < 125-255 > Green < 125-255 > Blue < 125-255 > White < 125-255 > Default:Off
	Factory Reload ⇒ No Yes Default:No
4	Information ⇒ Fix Hours
	Version
5	Stand Alone ⇒ Master/Slave ⇒ Master Slave
	Effects ⇒ Effect 1 ⇒ < 001-100 > Effect 2 ⇒ < 001-100 > Effect 3 ⇒ < 001-100 > Effect 4 ⇒ < 001-100 > Effect 5 ⇒ < 001-100 >
	Static ⇒ Fixed Color ⇒ R G B W GB RB RG RGB RW GW BW RGW RBW GBW RGBW Default: RGBW
	Manual Color ⇒ Red (000 - 255) ⇒ Green(000-255) ⇒ Blue (000 - 255) ⇒ White (000-255) ⇒ Default: 255

3.4 DMX MODE

- To set the DMX address, press the MENU button until **CONNECT** shows on the display, then through the UP/DOWN button select the **DMX ADDRESS**, then press the ENTER button to confirm.
- Press the UP/DOWN to select the desired value (**001-512**); press and hold to scroll quickly.
- Press ENTER button to confirm.

To be able to operate the SMARTBOOK with a light controller, you must set the DMX start address for the first DMX channel. For example, if the control unit is provided with address 33 for controlling the function of the first DMX channel, you must set the start address 33 to SMARTBOOK. Le altre funzioni del pannello saranno assegnate automaticamente agli indirizzi successivi. The other panel functions are then automatically assigned to the following addresses.

An example with the start address 33 is shown below:

DMX Channels number	Start address (example)	Busy DMX address	Next possible start address for unit n°1	Next possible start address for unit n°2	Next possible start address for unit n°3
4	33	33-36	37	41	45

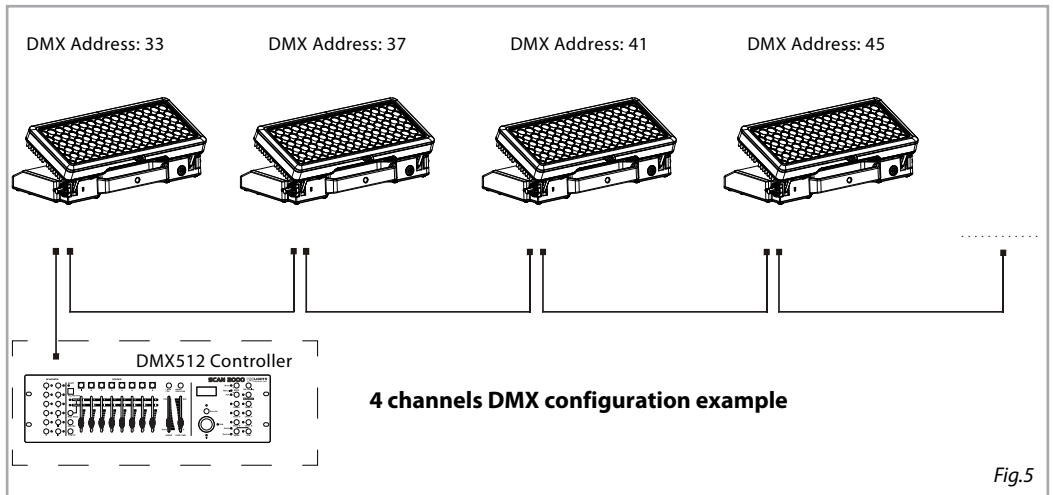


Fig.5

3.5 DMX CONFIGURATION

SMARTBOOK has several DMX channel configurations that can be accessed from the control panel.

- Press the MENU button until **CONNECT** shows on the display, next through UP/DOWN buttons select **DMX MODE**, then press the ENTER button.
- Through the UP/DOWN buttons select the DMX configuration desired (**4CH - 6CH- 10CH**). Press the ENTER button to confirm.

The table on page 10 indicate the operating mode and DMX value.

3.6 WIRELESS SETTING

To enter the wireless setting mode press the MODE button until **CONNECT** shows on the display, **next select WIRELESS**, then press the ENTER button.

- Select the **WIRELESS RECEIVE** function using the UP/DOWN, then press the ENTER button.
- To activate the **WIRELESS** reception mode, use the UP/DOWN button and select the On option.
- Press the ENTER button to confirm your choice.
- Press the MENU button to go back or to meet the waiting time to exit the setup menu.
- NOTE - Once you have completed these steps, you must synchronize with any wifi unit you want to communicate with by pressing the sync button on it. Then connect any DMX console to the wifi drive to open communication with SMARTBOOK.
- To reset the unit, use the UP/DOWN buttons to select the Wireless Reset function, next press the ENTER button, then use the UP/DOWN buttons to select the Yes option and press the button ENTER to confirm your choice.

3.7 IR SETUP

To start up the IR receiver refer to the following steps:

- Press the MENU button so many times until the display shows **[IR Setup]**.
- Press the ENTER button to confirm.
- Press the UP/DOWN button, select one of the programs **[ON]** or **[OFF]**.
- Press the ENTER button for save the setting.

NOTE - Make sure to point the controller directly at the receiver on the product (if DMX mode is on, it could be necessary activate *static mode* or *auto program mode* to unlock the block).

3.8 BACK LIGHT

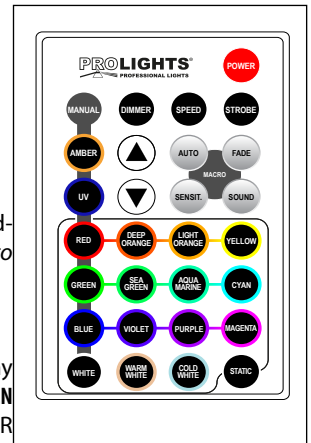
To adjust the time of the backlight display, press the MENU button so many times until **SETUP** shows on the display, press the ENTER button on **SCREEN** and select, through the UP/DOWN button, **BACK LIGHT**, then press the ENTER button.

- Press the UP/DOWN button to select (**0N - 10s - 20s - 30s**).
- Press ENTER button to confirm your choiche.
- Press the MENU button to go back or to meet the waiting time to exit from the setup menu automatically.

3.9 FLIP DISPLAY

To turn 180° the display, press the MENU button so many times until **SETUP** shows on the display, press the ENTER button on **SCREEN** and select, through the UP/DOWN button, **FLIP DISPLAY**, then press the ENTER button.

- Press the UP/DOWN button to select (**No - Yes**).
- Press ENTER button to confirm your choiche.
- Press the MENU button to go back or to meet the waiting time to exit from the setup menu automatically.



3. 10 KEY LOCK

To lock the control panel buttons, to avoid, for example, manomission of setting. if this function is activated, the buttons are automatically locked . To deactivate the key lock function, press the buttons in the following order to to get access to menu command: UP, DOWN, UP, DOWN, ENTER, ENTER. Press the MENU button repeatedly unti **SETUP** shows on the display, press the ENTER button on **SCREEN** and select, throught the UP/DOWN buttons, **KEY LOCK**, then press the ENTER button.

- Press the UP/DOWN buttons to select (**No - Yes**).
- Press ENTER button to confirm your choiche.
- Press the MENU button to go back or to meet the waiting time to exit from the setup menu automatically.

3. 11 DIMMER MODE

To enter dimmer mode and select and simulate different dimming curves, press the MENU button repeatedly unti **ADVANCED** shows on the display, next throught the UP/DOWN buttons select **[DIM MODE]**, then press the ENTER button to confirm.

- Press the UP/DOWN button to select **[Off - DIM1 - DIM2 - DIM3]**.
- Press ENTER button to confirm your choiche.
- Press the MENU button to go back or to meet the waiting time to exit from the setup menu automatically.

3. 12 WHITE BALANCE

To set the white balance press the MENU button until **ADVANCED** shows on the display, next throught the UP/DOWN button select the function **WHITE BALANCE**, then press the ENTER button.

- Press the UP/DOWN buttons to select **ADJUST**, then press the ENTER button.
- Later, select the color Red, Green, Blue o White using the UP/DOWN button, and press the ENTER button to confirm.
- Use UP/DOWN to set the desired value (**125 - 255**).
- Press the ENTER button to continue and move to the next Red, Green, Blue o White color.
- Continue until you set the desired values.
- Press the MENU button to go back or to meet the waiting time to exit from the setup menu automatically.

3. 13 FACTORY RELOAD

Allows you to restore defaut factory values.

- Press the MENU button repeatedly until **ADVANCED** shows on the display, next throught the UP/DOWN buttons selectthe function **FACTORY RELOAD** and press ENTER.
- Press ENTER button to confirm your choiche.
- Press the MENU button to go back or to meet the waiting time to exit from the setup menu automatically.

3. 14 FIXTURE INFORMATION

To view all the information on the device, proceed as follows:

- Press the MENU to access the main menu, then press the UP/DOWN button to select INFORMATION then use the ENTER button to enter the next menu
- Press the UP/DOWN button to scroll through the menu, then select one of the following information and press the ENTER button to display it.
 - FixHours - Through the Time Information function you can display the operating time of the projector.
 - Version - Through Software Version function you can display the currently installed software version.

- Press the MENU button to go back or wait a few seconds to exit the setup menu.

3. 15 MODALITÀ MASTER/SLAVE

Once set in static or auto programs, this mode allows the SMARTBOOK to return to the slave setting.

- Press the MENU button so many times until **STAND ALONE** shows on the display, then press ENTER.
- Press UP/DOWN and select the mode (**MASTER, SLAVE**) to set the unit as slave. Press the ENTER button to confirm.
- Press the MENU button to go back or wait a few seconds to exit the setup menu.

3. 16 EFFECTS

The unit has preset pre-programmed effects that can be set through the following procedure:

- Press the button MENU so many times until the display shows **STAND ALONE**, then select **EFFECTS**, then press the button ENTER
- Through the UP/DOWN button select the the desired effect.
- Use the UP/DOWN button select the desired effect [Effetto 1, 2, 3, 4, 5] and the value (001 - 100).
- Premere il tasto ENTER per salvare l'impostazione.

3. 17 STATIC MODE

The unit allows you to create configurations that can be set by the following procedure:

- To enter static mode, press the MENU button repeatedly until **STAND ALONE** shows on the display, next select **STATIC**, then press ENTER to confirm.
- Through the button UP/DOWN select **FIXED COLOR** or **MANUAL COLOR** and press the ENTER button to confirm the desired function.
- Set the color and values (**000 - 255**), using the UP/DOWN button, then press ENTER button to confirm.
- Press the MENU button to go back or to meet the waiting time to exit the setup menu.

3.18 DMX CONTROL

MODE 4 Ch	FUNCTION	DMX Value
1	RED 0~100%	000 - 255
2	GREEN 0~100%	000 - 255
3	BLUE 0~100%	000 - 255
4	WHITE 0~100%	000 - 255

MODE 6 Ch	FUNCTION	DMX Value
1	DIMMER 0~100%	000 - 255
2	RED 0~100%	000 - 255
3	GREEN 0~100%	000 - 255
4	BLUE 0~100%	000 - 255
5	WHITE 0~100%	000 - 255
6	STROBE No function Strobe Slow to Fast	000 - 010 011 - 255

MODE 10 Ch	FUNCTION	DMX Value
1	DIMMER 0~100%	000 - 255
2	RED 0~100%	000 - 255
3	GREEN 0~100%	000 - 255

MODE 10 Ch	FUNCTION	DMX Value
4	BLUE 0~100%	000 - 255
5	WHITE 0~100%	000 - 255
6	STROBE No function Strobe Slow to Fast	000 - 010 011 - 255
7	COLOR MACRO No function R 100%, G 0~100%, B 0% R 100%~0, G 100%, B 0% R 0%, G 100%, B 0~100% R 0%, G 100%~0, B 100% R 0~100%, G 0%~0, B 100% R 100%, G 0%, B 100%~0% R 100%, G 0~100%, B 0~100% R 100%~0, G 100%~0, B 100% R 100%, G 100%, B 100%, W 100% White Presets 1 White Presets 2 White Presets 3 White Presets 4 White Presets 5 White Presets 6 White Presets 7 White Presets 8 White Presets 9 White Presets 10 White Presets 11	000 - 010 011 - 030 031 - 050 051 - 070 071 - 090 091 - 110 111 - 130 131 - 150 151 - 170 171 - 200 201 - 205 206 - 210 211 - 215 216 - 220 221 - 225 226 - 230 231 - 235 236 - 240 241 - 245 246 - 250 251 - 255
8	AUTO PROGRAMS No function Auto Program 1 Auto Program 2 Auto Program 3 Auto Program 4 Auto Program 5	000 - 051 052 - 101 102 - 152 153 - 203 204 - 254 255
9	AUTO SPEED Auto Speed slow to Fast	000 - 255
10	DIMMER SPEED MODE Preset dimmer speed from display menu Dimmer speed mode off Dimmer speed mode1 (fast speed) Dimmer speed mode2 (middle speed) Dimmer speed mode3 (slow speed)	000 - 051 052 - 101 102 - 152 153 - 203 204 - 255

- 4 - MAINTENANCE

4.1 MAINTENANCE AND CLEANING THE UNIT

- Make sure the area below the installation place is free from unwanted persons during setup.
- Switch off the unit, unplug the main cable and wait until the unit has cooled down.
- All screws used for installing the device and any of its parts should be tightly fastened and should not be corroded.
- Housings, fixations and installation spots (ceiling, trusses, suspensions) should be totally free from any deformation.
- The main cables must be in impeccable condition and should be replaced immediately even when a small problem is detected.
- It is recommended to clean the front at regular intervals, from impurities caused by dust, smoke, or other particles to ensure that the light is radiated at maximum brightness. For cleaning, disconnect the main plug from the socket. Use a soft, clean cloth moistened with a mild detergent. Then carefully wipe the part dry. For cleaning other housing parts use only a soft, clean cloth. Never use a liquid, it might penetrate the unit and cause damage to it.

4.3 TROUBLESHOOTING

Problems	Possible causes	Checks and remedies
Device does not light up	<ul style="list-style-type: none"> • No mains supply • Dimmer fader set to 0 • All color faders set to 0 • Faulty LED • Faulty LED board 	<ul style="list-style-type: none"> • Check the power supply voltage • Increase the value of the dimmer channels • Increase the value of the color channels • Replace the LED board • Replace the LED board
General low light intensity	<ul style="list-style-type: none"> • Dirty lens assembly • Misaligned lens assembly 	<ul style="list-style-type: none"> • Clean the fixture regularly • Install lens assembly properly
Device does not power up	<ul style="list-style-type: none"> • No power • Loose or damaged power cord • Faulty internal power supply 	<ul style="list-style-type: none"> • Check for power on power outlet • Check power cord • Replace internal power supply
Device does not respond to DMX	<ul style="list-style-type: none"> • Wrong DMX addressing • Damaged DMX cables • Bouncing signals 	<ul style="list-style-type: none"> • Check control panel and unit addressing • Check DMX cables • Install terminator as suggested

Contact an authorized service center in case of technical problems or not reported in the table can not be resolved by the procedure given in the table.

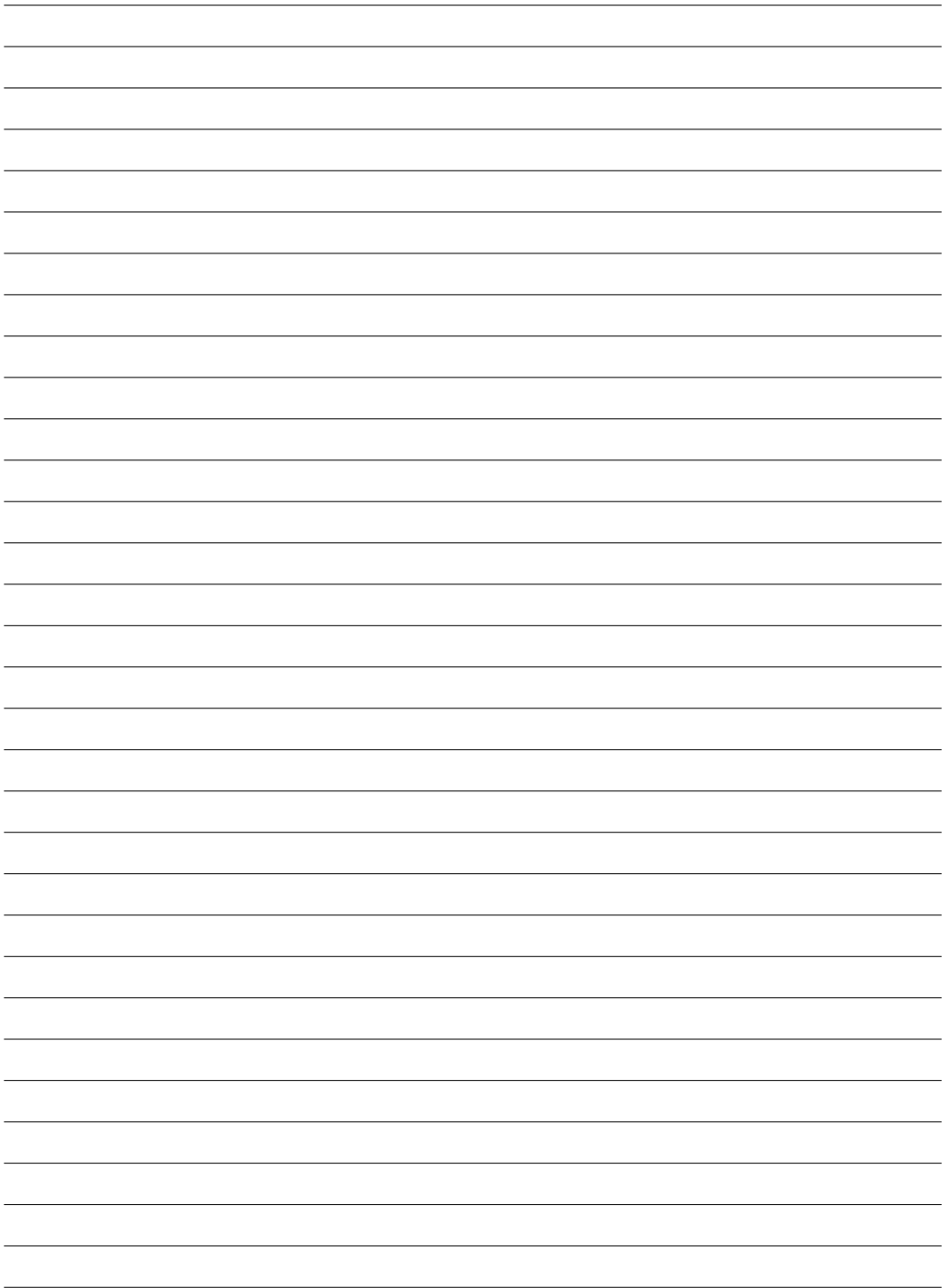
Guidelines for lithium batteries devices

Optimize battery performance

- Lithium batteries work optimally when used regularly.
Long periods of non-use, either with minimum or maximum charge, reduce battery efficiency and lifetime.
- Recharge batteries with its original device or with the supplied power supply, **N.B.** in cool and well-ventilated environments.
- Do not use the device during charging operation.
- Promptly disconnect the power supply when the charge is complete. It is preferable not to complete the recharge at 100%, you can also do partial recharge.

If you do not use the device for a long time

- Keep the charge at about 50%. For a good battery efficiency, long periods of inactivity must be avoided with the state of charge at minimum and maximum.
A battery too low, it could run out to the point of making a new recharge impossible.
A battery too full, it may decrease the standard operating autonomy.
 - Keep the device in a cool and dry place.
-



Music & Lights S.r.l. si riserva ogni diritto di elaborazione in qualsiasi forma delle presenti istruzioni per l'uso.
La riproduzione - anche parziale - per propri scopi commerciali è vietata.

Al fine di migliorare la qualità dei prodotti, la Music&Lights S.r.l. si riserva la facoltà di modificare, in qualunque momento e senza preavviso, le specifiche menzionate nel presente manuale di istruzioni. Tutte le revisioni e gli aggiornamenti sono disponibili nella sezione 'Manuali' sul sito www.musiclights.it

INDICE	Sicurezza	
	Avvertenze generali	4
	Attenzioni e precauzioni per l'installazione	4
		5
	1 Introduzione	
	1. 1 Descrizione	5
	1. 2 Specifiche tecniche	5
	1. 3 Elementi di comando e di collegamento	7
	2 Installazione	
	2. 1 Montaggio	8
	3 Funzioni e impostazioni	
	3. 1 Funzionamento	9
	3. 2 Impostazione base	9
	3. 3 Struttura menu	11
	3. 4 Modalità DMX	12
	3. 5 Configurazione canale DMX	12
	3. 6 Wireless	13
	3. 7 Impostazioni IR	13
	3. 8 Back Light	13
	3. 9 Flip Display	13
	3. 10 Key Lock	13
	3. 11 Modalità dimmer	14
	3. 12 Bilanciamento del Bianco	14
	3. 13 Factory Reload	14
	3. 14 Informazioni sul dispositivo	14
	3. 15 Modalità Master/Slave	15
	3. 16 Effetti	15
	3. 17 Modalità Static	15
	3. 18 Tabella canali DMX	16
	4 Manutenzione	
	4. 1 Manutenzione e pulizia del sistema ottico	17
	4. 2 Risoluzione dei problemi	17

Contenuto dell'imballo:	<ul style="list-style-type: none">• SMARTBOOK• SBOOKFILTER50• Manuale utente
--------------------------------	--




ATTENZIONE! Prima di effettuare qualsiasi operazione con l'unità, leggere con attenzione questo manuale e conservarlo accuratamente per riferimenti futuri. Contiene informazioni importanti riguardo l'installazione, l'uso e la manutenzione dell'unità.



SICUREZZA

Avvertenze generali

- I prodotti a cui questo manuale si riferisce sono conformi alle Direttive della Comunità Europea e pertanto recano la sigla **CE**.
- Questo prodotto è dotato di una batteria al Litio ricaricabile (26 Ah - 18,5V) per un funzionamento senza cavi.
- Il dispositivo funziona con pericolosa tensione di rete. Non intervenire mai al suo interno al di fuori delle operazioni descritte nel presente manuale; esiste il pericolo di una scarica elettrica.
- È obbligatorio effettuare il collegamento ad un impianto di alimentazione dotato di un'efficiente messa a terra (apparecchio di Classe I secondo norma EN 60598-1). Si raccomanda, inoltre, di proteggere le linee di alimentazione delle unità dai contatti indiretti e/o cortocircuiti verso massa tramite l'uso di interruttori differenziali opportunamente dimensionati.
- Le operazioni di collegamento alla rete di distribuzione dell'energia elettrica devono essere effettuate da un installatore elettrico qualificato. Verificare che frequenza e tensione della rete corrispondono alla frequenza ed alla tensione per cui l'unità è predisposta, indicate sulla targhetta dei dati elettrici.
- L'unità non per uso domestico, solo per uso professionale.
- Evitare di utilizzare l'unità:
 - in luoghi soggetti a vibrazioni, o a possibili urti;
 - in luoghi soggetti ad eccessiva umidità;
 - in luoghi a temperatura superiore ai 45°C.
- Evitare che nell'unità penetrino liquidi infiammabili, acqua o oggetti metallici.
- Non smontare e non apportare modifiche all'unità.
- Tutti gli interventi devono essere sempre e solo effettuati da personale tecnico qualificato. Rivolgersi al più vicino centro di assistenza tecnica autorizzato.
- Questo prodotto contiene una batteria ricaricabile. A tutela dell'ambiente si prega di smaltire la batteria a fine vita in conformità alla normativa vigente.
- Se si desidera eliminare il dispositivo definitivamente, consegnarlo  per lo smaltimento ad un'istituzione locale per il riciclaggio.

Attenzioni e precauzioni per l'installazione

- Se il dispositivo dovesse trovarsi ad operare in condizioni differenti da quelle descritte nel presente manuale, potrebbero verificarsi dei danni; in tal caso la garanzia verrebbe a decadere. Inoltre, ogni altra operazione potrebbe provocare cortocircuiti, incendi, scosse elettriche, rotture etc.
- Prima di iniziare qualsiasi operazione di manutenzione o pulizia sull'unità togliere la tensione dalla rete di alimentazione.
- È assolutamente necessario proteggere l'unità per mezzo di una fune di sicurezza. Nell'eseguire qualsiasi intervento attenersi scrupolosamente a tutte le normative (in materia di sicurezza) vigenti nel paese di utilizzo.
- Installare l'unità in un luogo ben ventilato.
- Mantenere i materiali infiammabili ad una distanza di sicurezza dall'unità.
- I filtri, le lenti o gli schermi ultravioletti se danneggiati possono limitare la loro efficienza.
- I LED devono essere sostituiti se danneggiati o termicamente deformati.
- Non guardare direttamente il fascio luminoso. Tenete presente che i veloci cambi di luce possono provocare attacchi d'epilessia presso persone fotosensibili o epilettiche.
- Non toccare l'alloggiamento del prodotto quando è in funzione perché potrebbe essere molto caldo.
- Questo prodotto non è idoneo ad installazioni permanenti.

- 1 - INTRODUZIONE

1.1 DESCRIZIONE

SMARTBOOK è una luce wash a batteria wireless, che offre prestazioni elevate in un corpo pieghevole super sottile.

SMARTBOOK è uno strumento ideale per eventi all'aperto per illuminare il paesaggio e gli edifici, essendo classificato IP e con sistema ottico magnetico (+ 50° incluso). SMARTBOOK è dotato di una ricarica rapida magnetica in flight case e controllo tramite Wireless DMX.

1.2 SPECIFICHE TECNICHE

SORGENTE LUMINOSA

- Sorgente: 96x3W RGBW LED
- Flusso luminoso: (without filter) 3019.9 lm - (with 50° filter) 2117 lm - (with 60x10° filter) 2261lm
- Lux: (without filter) 1593 lux - (with 50° filter) 404 lux - (with 60x10° filter) 608lux @3m Full
- Durata media sorgente: >50.000 h

OTTICA

- Angolo di proiezione: (without filter) 24° ; (with 50° filter) 35° ; (with 60x10° filter) 40x24°
- Angolo di campo: (without filter) 40° ; (with 50° filter) 70° ; (with 60x10° filter) 81x45°
- Ottiche aggiuntive: Magnetic 60x10° asymmetric filter (optional)
- Altro: Magnetic +50° filter (included)

SISTEMA COLORE

- Color Mixing: RGBW
- Ruota colori: Ruota colori virtuale con preset

EFFETTI DINAMICI

- Static Color Mode: Riproduzione statica di un colore
- Manual Color Mode: Regolazione manuale di un colore
- Auto Mode: Programmi automatici preimpostati con regolazione velocità

CORPO

- Hardware a bordo: Foldable head to focus the beam
- Tilt Angle: 0-90°
- Corpo: Corpo in alluminio pressofuso ad alta resistenza
- Colore: Nero

CONTROLLO

- Protocolli: DMX512
- Canali DMX: 4/6/10ch
- W-DMX: Integrato, ricevitore ad antenna (2.4 GHz) by Wireless Solution Sweden
- Display: Display black OLED ad alta risoluzione
- IR: Controllo remoto tramite IR
- Master/Slave: per il controllo di più unità collegate in catena

ELETTRONICA

- Dimmer: 0~100% lineare, Elettronico
- Curve Dimmer: 4 Curve dimmer regolabili

- Strobe/Shutter: 0-30 Hz, elettronico
- Temperatura d'esercizio: 0° ~ +45°
- Flicker: Flicker free

BATTERIA

- Batteria: 26 Ah - 18,5V
- Autonomia in modalità cambia colori, fino a: 12h
- Autonomia in modalità singolo colori, fino a: 12h
- Autonomia in modalità full white, fino a: 9h
- Connessione di ricarica: Caricatore rapido magnetico
- Tempo di ricarica: 7h/max
- Status Batteria: Indicatore di carica su Display

CARATTERISTICHE FISICHE

- Raffreddamento: Proiettore privo di ventole e struttura disegnata per una dissipazione a convezione naturale
- IP rating: 65 per eventi outdoor
- Dimensioni (LxAxP): 407x213x100.6mm
- Peso: 8,4kg

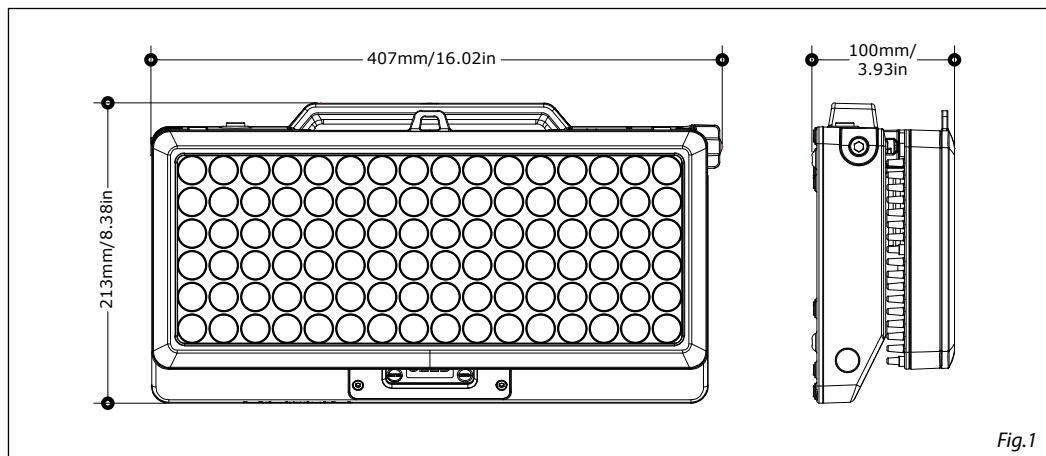
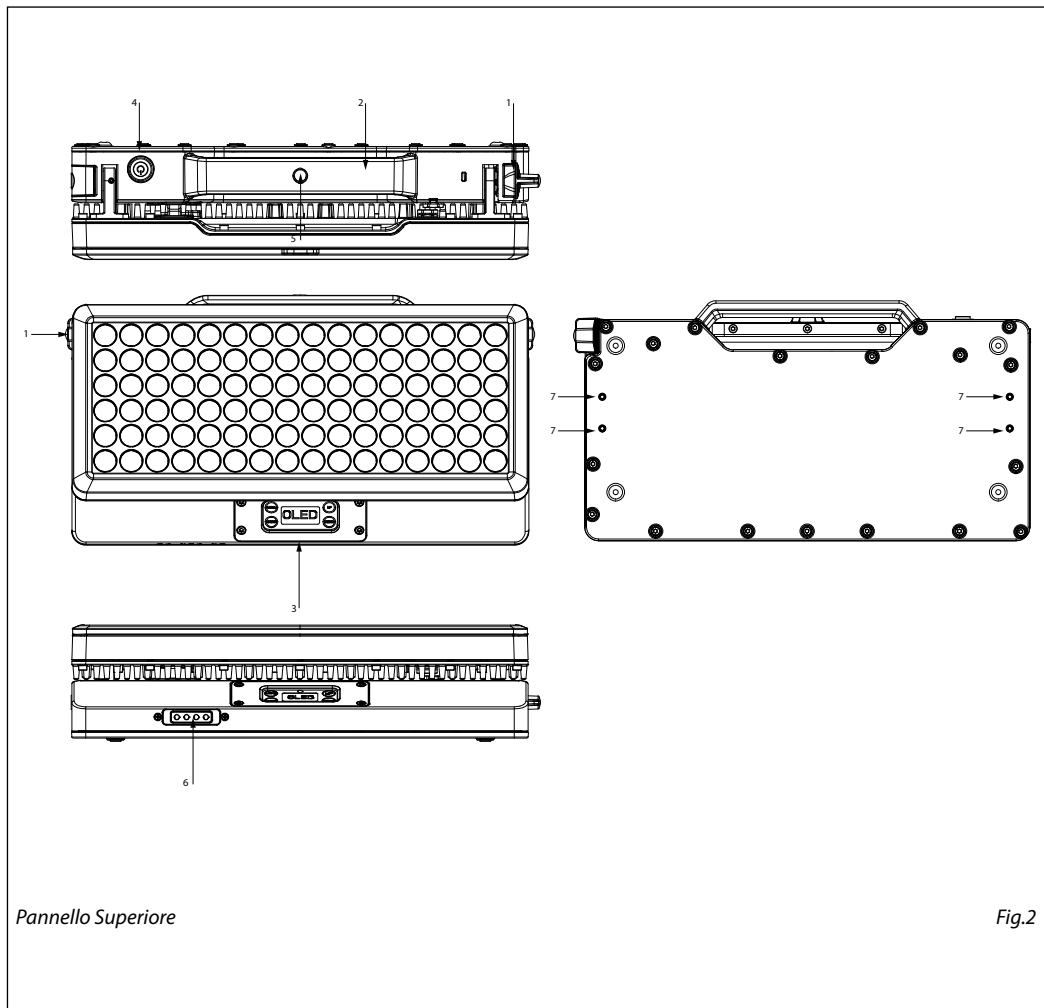


Fig.1

1.3 ELEMENTI DI COMANDO E COLLEGAMENTI



Pannello Superiore

Fig.2

1. MANOPOLA DI FISSAGGIO
2. MANIGLIA per trasporto
3. PANNELLO DI CONTROLLO con display OLED e 4 pulsanti per accesso e gestione delle diverse funzioni.
4. INTERRUTTORE ON/OFF
5. FORO FILETTATO M12
6. POWER IN per il collegamento ad una presa di rete tramite il cavo di rete in dotazione.
7. FORO FILETTATO per staffa

- 2 - INSTALLAZIONE

2.1 MONTAGGIO

Lo SMARTBOOK può essere collocato su un piano solido; attraverso la manopola di fissaggio può essere variata l'inclinazione del proiettore. Inoltre, grazie alle possibilità di fissaggio mediante il foro filettato presente sulla maniglia di trasporto (2), l'unità può essere montata anche a testa in giù, su una traversa. Per il fissaggio occorrono dei supporti robusti per il montaggio. L'area di collocazione deve avere una stabilità sufficiente e supportare almeno 10 volte il peso dell'unità.

Inoltre assicurarsi di rispettare tutte le avvertenze in materia di sicurezza.

IMPORTANTE

È assolutamente necessario assicurare il proiettore contro la caduta utilizzando un cavo di sicurezza: in particolare collegare il cavo in un punto adatto in modo che la caduta del proiettore non possa superare i 20 cm.

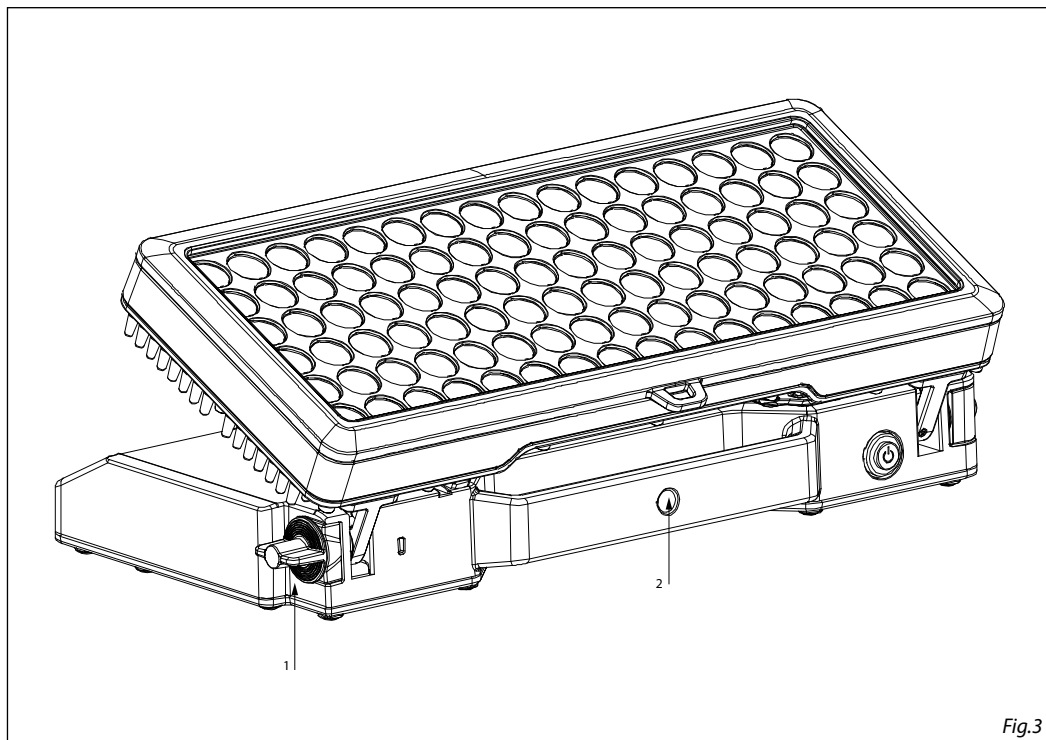


Fig.3

- 3 - FUNZIONI E IMPOSTAZIONI

3.1 FUNZIONAMENTO

Per accendere lo SMARTBOOK, premere l'interruttore ON/OFF. L'unità può essere comandata da un unità DMX di comando luce oppure svolgere autonomamente il suo programma. Dopo l'uso spegnere l'unità attraverso il medesimo interruttore.

3.2 IMPOSTAZIONE BASE

Lo SMARTBOOK dispone di un OLED display e 4 pulsanti per accesso alle funzioni del pannello di controllo (fig.3).

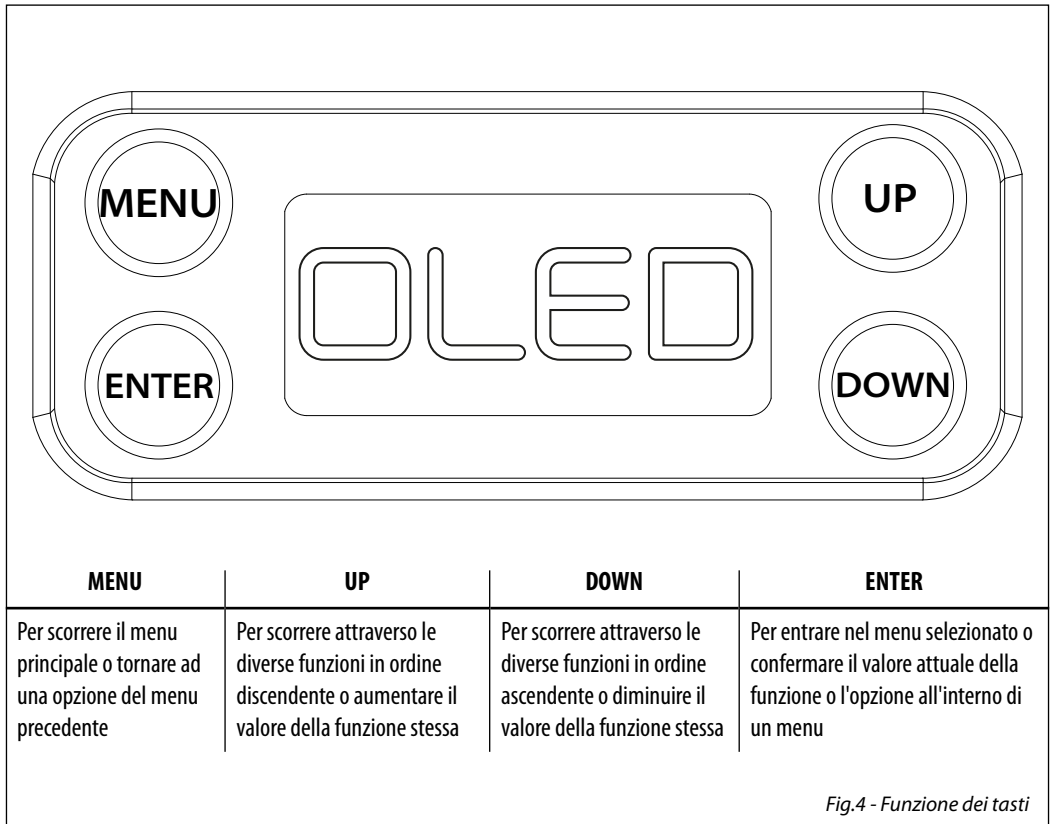
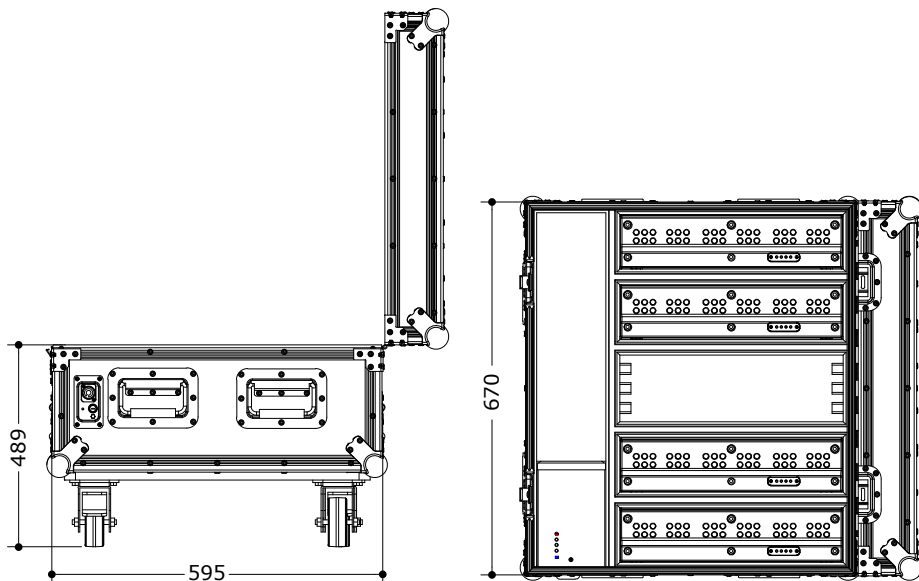


Fig.4 - Funzione dei tasti

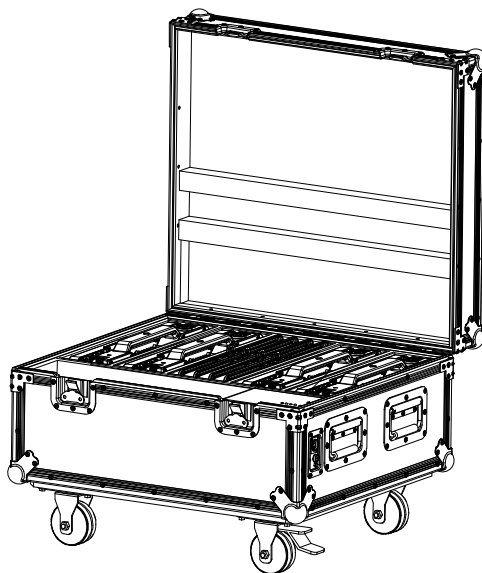
Flight-case SMARTBOOKPACK (opzionale)**SPECIFICHE TECNICHE**

Flight-case per contenere 4pz SMARTBOOK con ricarica-batterie incluso

- Scomparti interni con spine di alimentazione per ogni singola proiettore
- Ingresso alimentazione case: Powercon IN
- Dimensioni (LxAxP): 670x489x595 mm

**NOTA**

Ricaricare sempre con
flight-case aperto.



3.3 STRUTTURA MENU

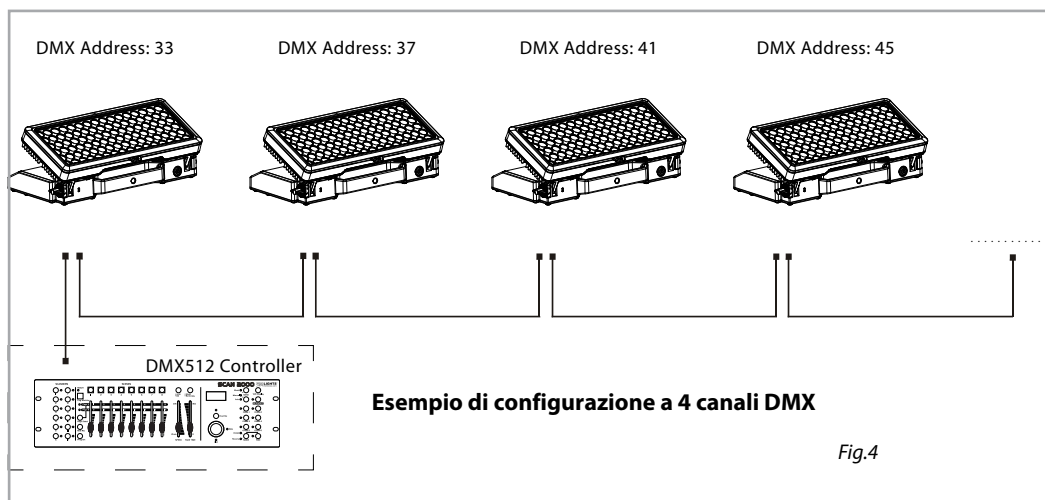
MENU	
1	Connect ⇒ DMX Address ⇒ < 001 > Default:001
	DMX Mode ⇒ Easy (4Ch) Basic (6Ch) Standard (10Ch) Default:10Ch
	Wireless ⇒ Receive Reset Connect
	IR setting ⇒ ON/OFF
2	Setup ⇒ Screen ⇒ Backlight ⇒ On 10s 20s 30s Default:30s
	Flip Display ⇒ No Yes Default:No
	Key Lock ⇒ No Yes Default:No
3	Advanced ⇒ Dimmer mode ⇒ Off DIM 1 DIM 2 DIM 3 Default:Off
	White Balance ⇒ Off
	Adjust ⇒ Red < 125-255 > Green < 125-255 > Blue < 125-255 > White < 125-255 > Default:Off
	Factory Reload ⇒ No Yes Default:No
4	Information ⇒ Fix Hours
	Version
5	Stand Alone ⇒ Master/Slave ⇒ Master Slave
	Effects ⇒ Effect 1 ⇒ < 001-100 > Effect 2 < 001-100 > Effect 3 < 001-100 > Effect 4 < 001-100 > Effect 5 < 001-100 >
	Static ⇒ Fixed Color ⇒ R G B W GB RB RG RGB RW GW BW RGW RBW GBW RGBW Default: RGBW
	Manual Color ⇒ Red (000 - 255) ⇒ Green(000-255) Blue (000 - 255) White (000-255) Default: 255

3.4 MODALITÀ DMX

- Per impostare l'indirizzo DMX, premere il tasto MENU fino a quando sul display non appare **CONNECT**, quindi attraverso i tasti UP/DOWN selezionare **DMX ADDRESS**, quindi premere il tasto ENTER.
- Premere il tasto UP/DOWN per selezionare il valore desiderato (**001-512**); tenere premuto invece il tasto UP/DOWN per lo scorrimento veloce.
- Premere il tasto ENTER per confermare l'impostazione.

Per poter comandare lo SMARTBOOK con un'unità di comando luce, occorre impostare l'indirizzo di start DMX per il primo canale DMX. Se, per esempio, sull'unità di comando è previsto l'indirizzo 33 per comandare la funzione del primo canale DMX, si deve impostare sullo SMARTBOOK l'indirizzo di start 33. Le altre funzioni del pannello saranno assegnate automaticamente agli indirizzi successivi.

Numero canali DMX	Indirizzo di start (esempio)	Indirizzo DMX occupati	Prossimo indirizzo di start possibile per unità n°1	Prossimo indirizzo di start possibile per unità n°2	Prossimo indirizzo di start possibile per unità n°3
4	33	33-36	37	41	45



3.5 CONFIGURAZIONE CANALI DMX

Lo SMARTBOOK dispone di diverse configurazioni dei canali DMX a cui si può accedere dal pannello di controllo.

- Premere il tasto MENU fino a quando sul display non appare **CONNECT**, quindi attraverso i tasti UP/DOWN selezionare **DMX MODE**, quindi premere il tasto ENTER.
- Attraverso i tasti UP/DOWN selezionare la configurazione dei canali DMX che si desidera (**4CH - 6CH - 10CH**). Premere il tasto ENTER per confermare.

Le tabelle a pagina 15 indicano le modalità di funzionamento e i relativi valori DMX.

3.6 IMPOSTAZIONI WIRELESS

Per entrare nella modalità impostazione wireless premere il tasto MODE fino a quando sul display non appare **CONNECT**, dopodichè selezionare **WIRELESS**, quindi premere il tasto ENTER.

- Selezionare la funzione **WIRELESS RECEIVE** attraverso i tasti UP/DOWN, quindi premere il tasto ENTER.
- Per attivare la modalità di ricezione **WIRELESS** utilizzare i tasti UP/DOWN e selezionare l'opzione On.
- Premere il tasto ENTER per confermare la scelta.
- Premere il tasto MODE per tornare indietro o attendere alcuni secondi per uscire dal menu di impostazione.
- **NOTA** - Una volta eseguiti questi passi, bisogna effettuare la sincronizzazione con l'eventuale unità wifi con la quale si vuole comunicare premendo il pulsante di sincronizzazione presente sulla stessa. A questo punto collegare l'eventuale console DMX all'unità wifi per aprire la comunicazione con lo SMARTBOOK.
- Per effettuare il reset dell'unità selezionare invece la funzione Wireless Reset attraverso i tasti UP/DOWN, quindi premere il tasto ENTER., dopodichè per eseguire l'operazione utilizzare i tasti UP/DOWN e selezionare l'opzione Yes, quindi premere il tasto ENTER per confermare la scelta.
- Premere il tasto MODE per tornare indietro o attendere alcuni secondi per uscire dal menu di impostazione.

3.7 IMPOSTAZIONI IR

Per l'accensione del ricevitore ad infrarossi far riferimento alla seguente procedura:

- Premere il tasto UP/DOWN per scorrere nel menu, selezionare **Connect**, quindi premere il tasto ENTER per accedere al menu successivo.
- Premere il tasto MENU fino a quando sul display non appare **[IR Setting]**.
- Premere il tasto ENTER per confermare la scelta.
- Usare i tasti UP/DOWN per selezionare il valore **[ON]** oppure **[OFF]**.
- Premere il tasto ENTER per salvare l'impostazione.

NOTA - Assicurarsi di puntare il telecomando direttamente verso il ricevitore dell'unità (se la modalità DMX è attiva, potrebbe essere necessario attivare la modalità static o la modalità di auto programs per sbloccare il blocco).

3.8 BACK LIGHT

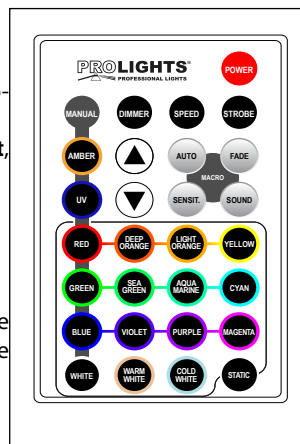
Per regolare il tempo della retroilluminazione display, premere il tasto MENU ripetutamente fino a quando sul display non compare **SETUP**, premere il tasto ENTER su **SCREEN** e selezionare attraverso i tasti UP/DOWN **BACK LIGHT**, quindi premere il tasto ENTER.

- Premere il tasto UP/DOWN per selezionare **(ON - 10s - 20s - 30s)**.
- Premere il tasto ENTER per confermare la scelta.
- Premere il tasto MENU per tornare indietro o attendere alcuni secondi per uscire dal menu di impostazione.

3.9 FLIP DISPLAY

Per ruotare di 180° la visualizzazione del display, premere il tasto MENU ripetutamente fino a quando sul display non compare **SETUP**, premere il tasto ENTER su **SCREEN** e selezionare attraverso i tasti UP/DOWN **FLIP DISPLAY**, quindi premere il tasto ENTER.

- Premere il tasto UP/DOWN per selezionare **(No - Yes)**.
- Premere il tasto ENTER per confermare la scelta.
- Premere il tasto MENU per tornare indietro o attendere alcuni secondi per uscire dal menu di impostazione.



3.10 KEY LOCK

Per bloccare i tasti del pannello di controllo, per evitare ad esempio, manomissioni delle impostazioni. Se questa funzione viene attivata, i tasti vengono bloccati automaticamente. Per disattivare la funzione di blocco tasti, premere i tasti nel seguente ordine per riottenere l'accesso ai comandi di menù: SU, GIU, SU, GIU, ENTER, ENTER. Premere il tasto MENU ripetutamente fino a quando sul display non compare **SETUP**, premere il tasto ENTER su **SCREEN** e selezionare attraverso i tasti UP/DOWN **KEY LOCK**, quindi premere il tasto ENTER.

- Premere il tasto UP/DOWN per selezionare (**No - Yes**).
- Premere il tasto ENTER per confermare la scelta.
- Premere il tasto MENU per tornare indietro o attendere alcuni secondi per uscire dal menu di impostazione.

3.11 MODALITÀ DIMMER

Per entrare nella modalità dimmer e scegliere e simulare diverse curve dimming, premere il tasto MENU ripetutamente fino a quando sul display non compare **ADVANCED**, poi selezionare tramite i tasti UP/DOWN **[DIM MODE]**, quindi premere il tasto ENTER.

- Premere il tasto UP/DOWN per selezionare (**Off - DIM1 - DIM2 - DIM3**).
- Premere il tasto ENTER per confermare la scelta.
- Premere il tasto MENU per tornare indietro o attendere alcuni secondi per uscire dal menu di impostazione.

3.12 BILANCIAMENTO BIANCO

Per impostare il bilanciamento del bianco premere il tasto MENU fino a quando sul display non appare **ADVANCED**, dopodichè selezionare attraverso i tasti UP/DOWN la funzione **WHITE BALANCE**, quindi premere il tasto ENTER.

- Premere il tasto UP/DOWN per selezionare **ADJUST**. Poi premere il tasto ENTER.
- Quindi, selezionare il colore Red, Green, Blue o White attraverso i tasti UP/DOWN, e premere il tasto ENTER.
- Utilizzare i tasti UP/DOWN per impostare il valore desiderato (125 - 255).
- Premere il tasto ENTER per continuare e passare al successivo colore Red, Green, Blue o White.
- Continuare fino ad impostare i valori desiderati.
- Premere il tasto MENU per tornare indietro o attendere alcuni secondi per uscire dal menu di impostazione.

3.13 FACTORY RELOAD

Permette di ripristinare i valori di fabbrica di default.

- Premere il tasto MENU ripetutamente fino a quando sul display non compare **ADVANCED**, dopodichè selezionare attraverso i tasti UP/DOWN la funzione **FACTORY RELOAD** e premere ENTER.
- Premere il tasto ENTER per confermare la scelta.
- Premere il tasto MENU per tornare indietro o attendere alcuni secondi per uscire dal menu di impostazione.

3.14 INFORMAZIONI SUL DISPOSITIVO

Per visualizzare tutte le informazioni sul dispositivo procedere nel seguente modo:

- Premere il tasto MENU per accedere al menu principale, quindi premere il tasto UP/DOWN per selezionare
- Premere il tasto UP/DOWN per scorrere nel menu, quindi selezionare una delle seguenti informazioni e
 - FixHours - Attraverso la funzione FIXTURE HOURS è possibile visualizzare sul display il tempo di funzionamento del proiettore.
 - Version - Attraverso la funzione VERSION è possibile visualizzare sul display la versione del software

installata.

- Premere il tasto MENU più volte per uscire dal menu.

3.15 MODALITÀ MASTER/SLAVE

Una volta impostato in static o auto programs questa modalità consente di far tornare all'impostazione slave lo SMARTBOOK.

- Premere il tasto MENU fino a quando sul display non appare **STAND ALONE**, dopodichè selezionare **SLAVE**. Premere il tasto ENTER per confermare.
- Premere il tasto MENU per tornare indietro o attendere alcuni secondi per uscire dal menu di impostazione.

3.16 EFFETTI

L'unità dispone di preset effetti pre-programmati che possono essere impostati attraverso la seguente procedura:

- Premere il tasto MENU fino a quando sul display non appare **STAND ALONE**, poi selezionare **EFFECTS**, quindi premere ENTER per confermare.
- Utilizzare i tasti UP/DOWN per selezionare l'effetto desiderato.
- Utilizzare i tasti UP/DOWN per selezionare l'effetto desiderato [Effetto 1, 2, 3, 4, 5] e il valore (001 - 100).
- Premere il tasto ENTER per salvare l'impostazione.

3.17 MODALITÀ STATIC

L'unità consente di creare delle configurazioni che possono essere impostate attraverso la seguente procedura:

- Per entrare nella modalità static, premere il tasto MENU ripetutamente fino a quando sul display non appare **STAND ALONE**, poi selezionare **STATIC**, quindi premere ENTER per confermare.
- Attraverso i tasti UP/DOWN selezionare **FIXED COLOR** o **MANUAL COLOR** e premere il tasto ENTER per confermare la funzione desiderata.
- Impostare il colore e i valori (**000 - 255**), attraverso i tasti UP/DOWN, quindi premere il tasto ENTER per confermare.
- Premere il tasto MENU per tornare indietro o attendere alcuni secondi per uscire dal menu di impostazione.

3.18 CANALI DMX

MODE 4 Ch	FUNCTION	DMX Value
1	RED 0~100%	000 - 255
2	GREEN 0~100%	000 - 255
3	BLUE 0~100%	000 - 255
4	WHITE 0~100%	000 - 255

MODE 6 Ch	FUNCTION	DMX Value
1	DIMMER 0~100%	000 - 255
2	RED 0~100%	000 - 255
3	GREEN 0~100%	000 - 255
4	BLUE 0~100%	000 - 255
5	WHITE 0~100%	000 - 255
6	STROBE No function Strobe Slow to Fast	000 - 010 011 - 255

MODE 10 Ch	FUNCTION	DMX Value
1	DIMMER 0~100%	000 - 255
2	RED 0~100%	000 - 255
3	GREEN 0~100%	000 - 255

MODE 10 Ch	FUNCTION	DMX Value
4	BLUE 0~100%	000 - 255
5	WHITE 0~100%	000 - 255
6	STROBE No function Strobe Slow to Fast	000 - 010 011 - 255
7	COLOR MACRO No function R 100%, G 0~100%, B 0% R 100%~0, G 100%, B 0% R 0%, G 100%, B 0~100% R 0%, G 100%~0, B 100% R 0~100%, G 0%~0, B 100% R 100%, G 0%, B 100%~0% R 100%, G 0~100%, B 0~100% R 100%~0, G 100%~0, B 100% R 100%, G 100%, B 100%, W 100% White Presets 1 White Presets 2 White Presets 3 White Presets 4 White Presets 5 White Presets 6 White Presets 7 White Presets 8 White Presets 9 White Presets 10 White Presets 11	000 - 010 011 - 030 031 - 050 051 - 070 071 - 090 091 - 110 111 - 130 131 - 150 151 - 170 171 - 200 201 - 205 206 - 210 211 - 215 216 - 220 221 - 225 226 - 230 231 - 235 236 - 240 241 - 245 246 - 250 251 - 255
8	AUTO PROGRAMS No function Auto Program 1 Auto Program 2 Auto Program 3 Auto Program 4 Auto Program 5	000 - 051 052 - 101 102 - 152 153 - 203 204 - 254 255
9	AUTO SPEED Auto Speed slow to Fast	000 - 255
10	DIMMER SPEED MODE Preset dimmer speed from display menu Dimmer speed mode off Dimmer speed mode1 (fast speed) Dimmer speed mode2 (middle speed) Dimmer speed mode3 (slow speed)	000 - 051 052 - 101 102 - 152 153 - 203 204 - 255

- 4 - MANUTENZIONE

4.1 MANUTENZIONE E PULIZIA DEL SISTEMA OTTICO

- Durante gli interventi, assicurarsi che l'area sotto il luogo di installazione sia libera da personale non qualificato.
- Spegnerne l'unità, scollegare il cavo di alimentazione ed aspettare finché l'unità non si sia raffreddata.
- Tutte le viti utilizzate per l'installazione dell'unità e le sue parti devono essere assicurate saldamente e non devono essere corrose.
- Alloggiamenti, elementi di fissaggio e di installazione (soffitto, truss, sospensioni) devono essere totalmente esenti da qualsiasi deformazione.
- I cavi di alimentazione devono essere in condizione impeccabile e devono essere sostituiti immediatamente nel momento in cui anche un piccolo problema viene rilevato.
- Si dovrebbe procedere, ad intervalli regolari, alla pulizia della parte frontale per asportare polvere, fumo e altre particelle. Solo così, la luce può essere irradiata con la luminosità massima. Per la pulizia usare un panno morbido, pulito e un detergente per vetri come si trovano in commercio. Quindi asciugare le parti delicatamente.

4.2 RISOLUZIONE DEI PROBLEMI

Anomalie	Possibili cause	Controlli e rimedi
Il dispositivo non illumina	<ul style="list-style-type: none"> • Mancanza di alimentazione di rete • Dimmer impostato a 0 • Tutti i colori impostati a 0 • LED difettoso/i • Scheda LED difettosa 	<ul style="list-style-type: none"> • Verificare la presenza della tensione alimentazione • Incrementare i valori del canale dimmer • Incrementare i valori dei canali colori • Sostituire scheda LED • Sostituire scheda LED
Bassa intensità di luce generale	<ul style="list-style-type: none"> • Lenti sporche • Lente disallineata 	<ul style="list-style-type: none"> • Pulire il dispositivo regolarmente • Installare il gruppo ottico correttamente
Il dispositivo non è alimentato	<ul style="list-style-type: none"> • Mancanza di alimentazione di rete • Cavo di alimentazione danneggiato • Alimentatore interno difettoso 	<ul style="list-style-type: none"> • Verificare la presenza della tensione alimentazione • Controllare il cavo di alimentazione • Sostituire l'alimentatore interno
Il dispositivo non risponde al DMX	<ul style="list-style-type: none"> • Indirizzamento DMX errato • Cavo di segnale DMX difettoso • Rimbalzo segnale DMX 	<ul style="list-style-type: none"> • Controllare il pannello di controllo e l'indirizzamento delle unità • Controllare il cavo di segnale DMX • Installare una terminazione DMX come suggerito

Rivolgersi a un centro di assistenza tecnico autorizzato nel caso in cui il problema non sia riportato in tabella.

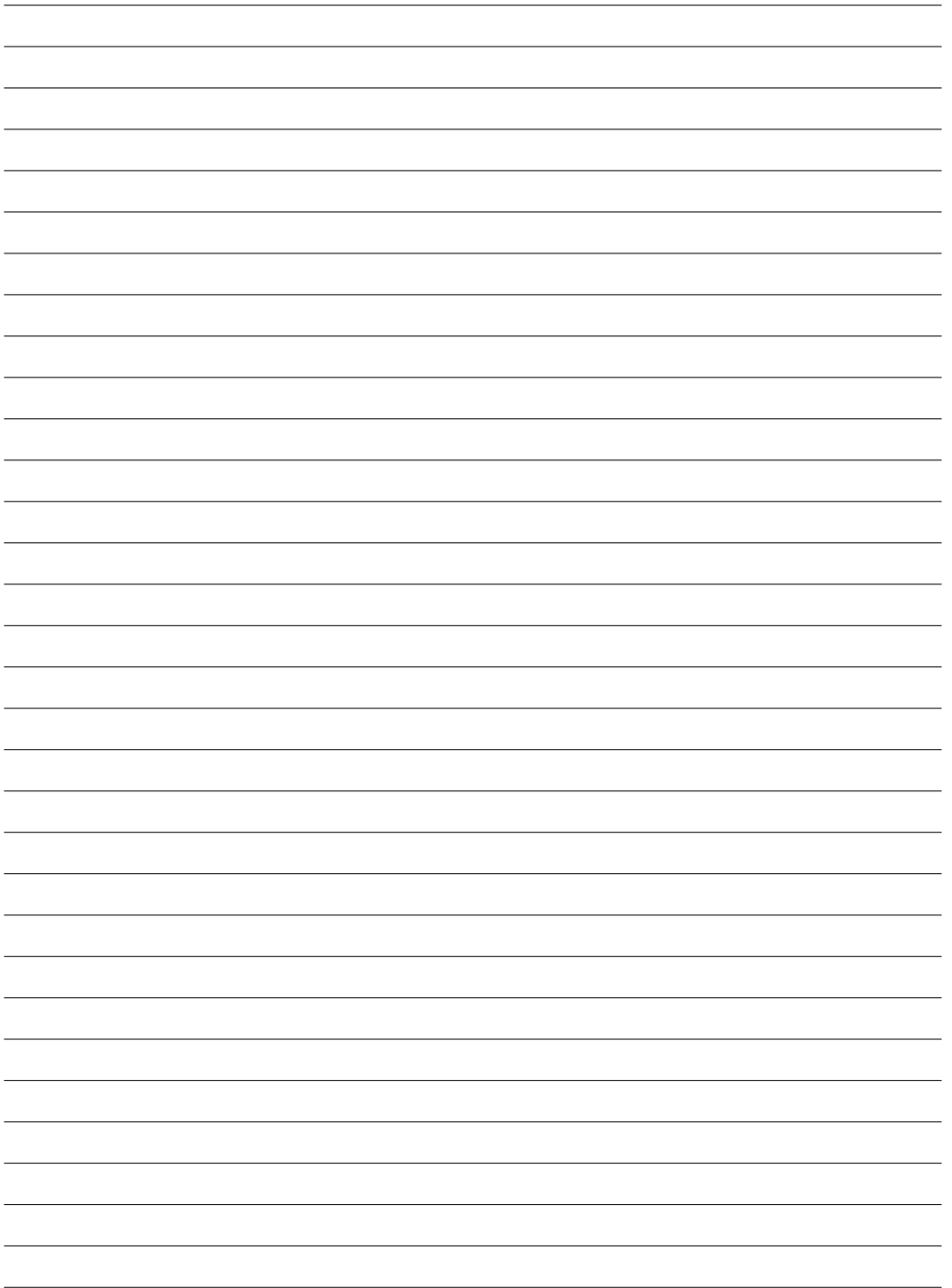
Guida all'uso di dispositivi con batterie al litio

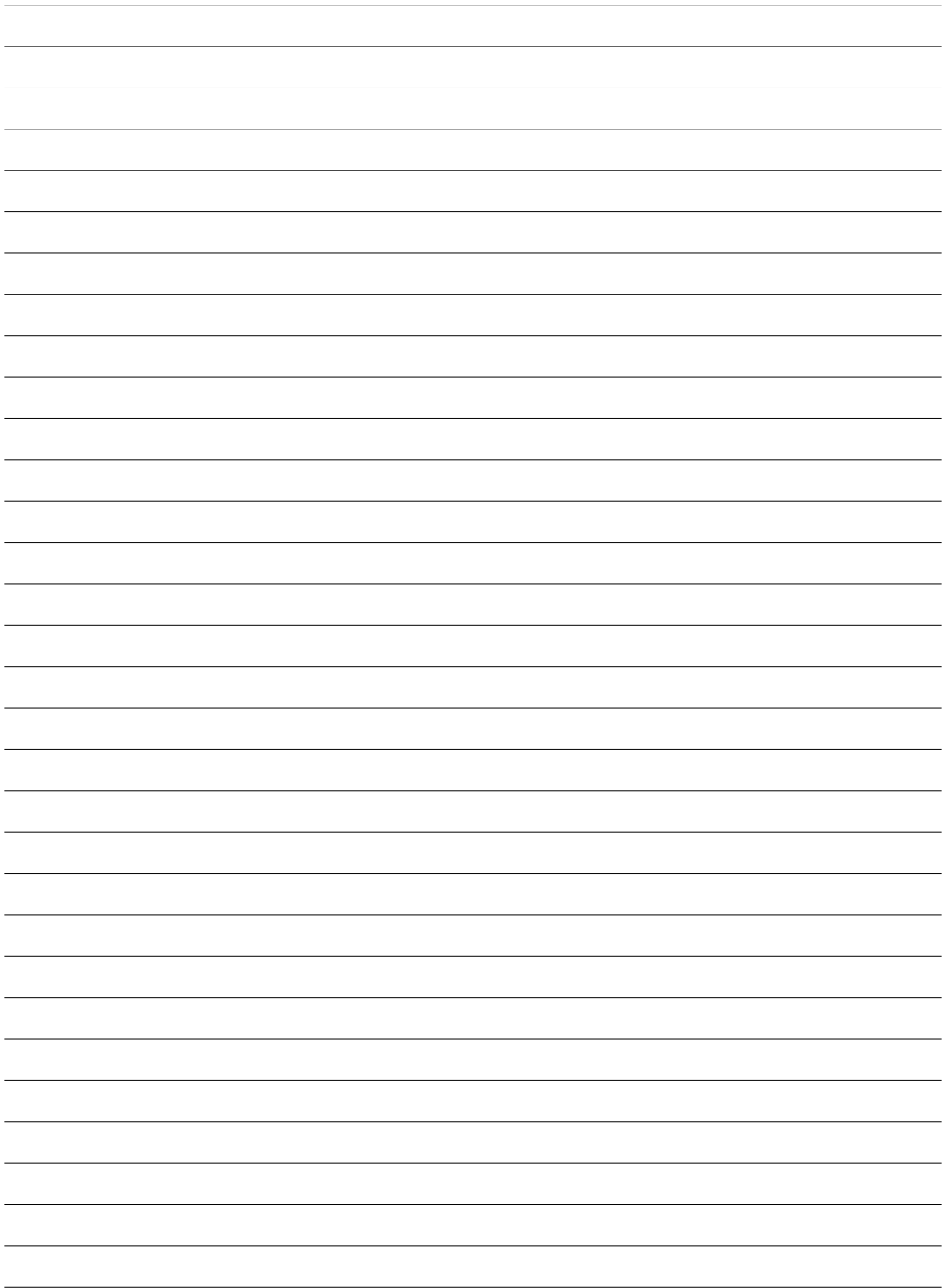
Ottimizza le prestazioni della batteria

- Le batterie al litio funzionano in modo ottimale quando vengono utilizzate regolarmente. Lunghi periodi di inattività, con carica al minimo o al massimo riducono l'efficienza e la durata della batteria.
- Ricaricare le batteria con il suo dispositivo originale o con l'alimentatore in dotazione, **N.B.** in ambienti freschi e ben ventilati.
- Non utilizzare il dispositivo durante la ricarica.
- Scollegare tempestivamente l'alimentazione quando la ricarica è completa. E' preferibile non ultimare la ricarica al 100%, si possono fare ricariche anche parziali.

Se non si utilizza il dispositivo per molto tempo

- Mantenere la batteria con carica circa al 50%. Per una buona efficienza della batteria, sono da evitare lunghi periodi di inattività con lo stato di carica al minimo ed al massimo. Una batteria troppo scarica, potrebbe esaurirsi al punto da rendere impossibile una nuova ricarica. Una batteria troppo carica, potrebbe diminuire l'autonomia di funzionamento.
 - Conservare il dispositivo in un luogo fresco e asciutto.
-







MUSIC & LIGHTS S.r.l.

Via Appia, km 136,200 - 04020 Itri (LT) - ITALY
Phone +39 0771 72190 - Fax +39 0771 721955

www.musiclights.it - email: info@musiclights.it

ISO 9001:2015 Certified Company

PROLIGHTS è un brand di proprietà della Music & Lights S.r.l.

PROLIGHTS is a brand of Music & Lights S.r.l. company.

PROLIGHTS ©2018 Music & Lights S.r.l.

